

8000 Retracting Sledge Microtome Specification



 **MADE IN BRITAIN**

Bright
Instruments

Introduction

The Bright 8000 retracting base sledge microtome offers the ultimate in versatility combined with strength, accuracy, reliability and, not least, safety.

Designed to fully meet the needs of the routine histology laboratory, the 8000 will also meet the more demanding requirements of the specialised unit where its versatility and wide range of accessories will guarantee that it becomes the first choice of the professional base sledge user.

It is well suited to cutting a wide range of materials including bone, plastics, resins and wood as well as large area soft tissues. It is the first of its kind to incorporate retraction on the return stroke. This feature helps to avoid possible damage to specimens. The 8000 has a wide range of stages available in a host of sizes. The Bright Solid State Freezer and the Bright Cryostage can be used in conjunction with the 8000, (see ordering information), on occasions where it is necessary to freeze specimens while in a laboratory environment.

Features and Benefits

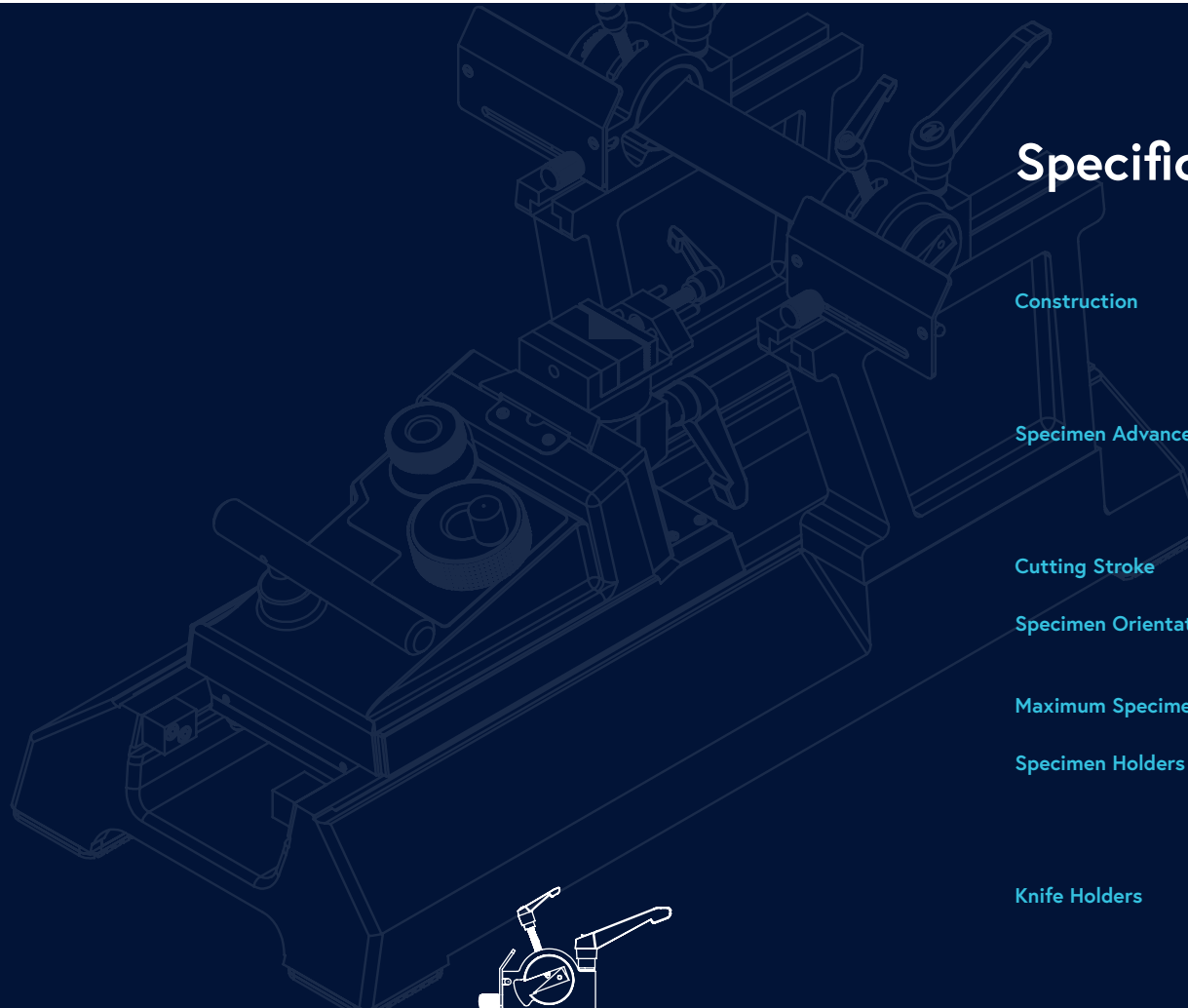
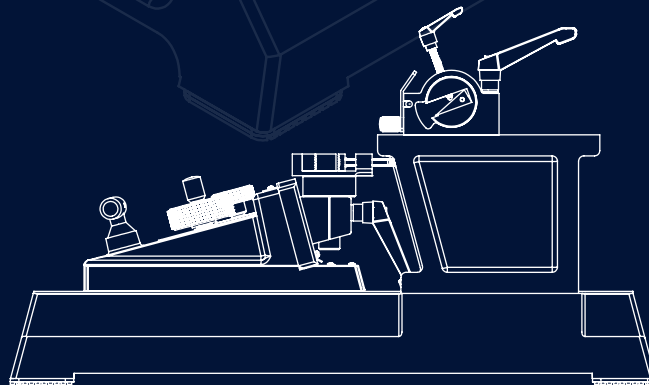
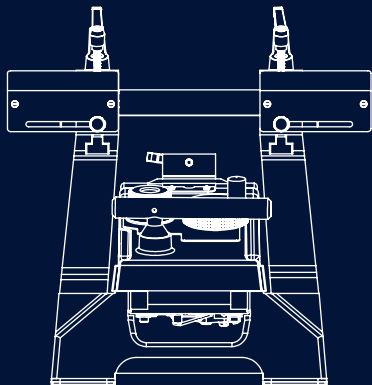
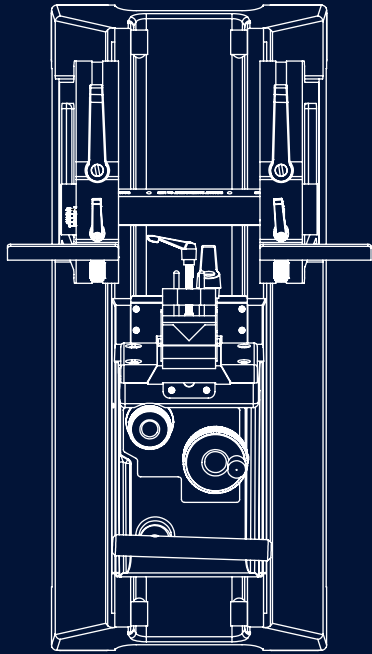
- Easy to use base sledge retracting microtome complete with standard vice
- Sturdy cast iron construction
- 60µm retraction on the return stroke prevents possible specimen damage
- Angled and slewable knife holder for greater versatility
- Accepts a range of knives and disposable blades
- A wide range of quick release holders available
- Safety features include knife guards and low positioned operating handle
- Orientation available - using a $\pm 8^\circ$ tilt adapter
- Range of stages available
- Standard accessories include: - knife cleaning brush, set of four Allen keys, microtome oil, operating manual

The Microtome

Design of the knife support pillars is such that they may be reversed to provide greater clearance for large blocks. In their normal position blocks up to 110mm wide may be accommodated but when reversed the block width may be increased to 170mm. Substantial knife clamps provide considerable knife rigidity with the dual facility of both angle tilt and slew, and spacers are available to raise the height of the knife. If required, a single side double clamp knife holder is available as an optional extra.

Full width knife guards are supplied providing increased protection to the operator over the entire knife length - not just at its ends. Cast in mechanite and precision machined, the base is finished with a durable solvent and detergent resistant coating. The sledge

is inserted with PTFE to provide an extremely low friction contact. Specimen advance and retraction is achieved by the simple action of pushing and pulling the sledge forward and back using the operating handle. Such is the unique design of the handle the mere action of pushing and pulling automatically advances and retracts the specimen. The degree of advance can be set in the range 0-40 μ m in 1 μ m increments.



Specification

| | |
|-----------------------------|--------------------------------------------------------------------------------------------------------------------------------------------------------------------------------|
| Construction | Cast mechanite, precision machined and finished with durable solvent and detergent proof coating |
| Specimen Advance | 0 - 40µm in 1µm increments, retraction operates on return stroke. Manual gross advance/rewind facility |
| Cutting Stroke | 270mm |
| Specimen Orientation | ±8° horizontal and vertical (optional) |
| Maximum Specimen | Size 250mm x 210mm |
| Specimen Holders | Specimen vice or quick release holder for cassettes, supercassettes and hardboard squares. |
| Knife Holders | Support arms reversible with slew facility. Angle tilt with indicator scale and full width knife guards. Single side double clamp facility is available as an optional feature |
| Safety Features | Handle designed to ensure maximum distance away from knife edge. Knife guards cover full width of knife |
| Dimensions | H325 x W260 x D610mm |
| Packing | Net weight: 40kg Gross weight: 50kg Packing dimensions: H400 x W920 x D550mm Shipping volume: 0.202m ³ |

Weights vary according to specification of instrument

8000 Retracting Sledge Microtome

Order List 2021

| PRODUCT | |
|---------|----------------------------------------------------------------------------------------------------------------------------------------------------------------------------------------------------------------------------------------------------------------------------------------------------------------------------------------------------------------------------------------------------------------------------------------------------------------------------------------------------------------------------------------------------------------------------------------------------------------------------------------------------------------------------------------------------------------|
| Code | Description |
| 8000-01 | <p>8000 Retracting base sledge microtome (with standard blade)</p> <p>Complete with:</p> <ul style="list-style-type: none"> • 1 - 40µm feed screw with 1µm increments. • Manual gross advance/rewind facility. • Angled, tilted knife holder with indicator scale. • Full width integral knife guards. • Automatic retraction of approx. 50µm on return stroke. • Standard vice. • Fixed adaptor. <p>Standard accessories include:</p> <ul style="list-style-type: none"> • Knife cleaning brush • Set of Allen keys • Knife, cleaning brush • Microtome oil • Operating manual |
| 8000-02 | <p>8000 Retracting base sledge microtome (Same as 8000-01 but without standard blade)</p> |

| OPTIONAL FEATURES | |
|-------------------|----------------------------------------------------------------------------------------------------------------------------------------------------------|
| Code | Description |
| 50533 | Quick release wax cassette holder, with out orientation. |
| 318 | A simple to use holder for wax cassettes. Accepts standard size wax cassettes (26x31x5mm). Can be specified instead of standard vice at no extra charge. |
| 54147 | Sledge quick release supercassette holder for holding wax supercassettes (75x52x19mm). |
| 51637 | Quick release holder for hardboard squares. |
| 51407 | Single side double clamp knife holder. |
| 51473 | Orientating tilt adapter +/-8° angle. |

| OPTIONAL FEATURES | |
|------------------------------------------------|-------------------------------------------------------------------------------------------------------------------------------------------------------------------------------------------------------------------------------------------------------------------------------------------------------------------------------------------------------------------------------------------------------------------------------------------------------------------------------------------------------------------------------------------------------------------|
| Code | Description |
| CRYOSTAGE - REFRIGERATED FREEZING STAGE | |
| 8000-208-01 | <p>Cryostage Freezing Stage for 220/240V AC, 50/60Hz</p> <p>Complete with:</p> <ul style="list-style-type: none"> • 130 x 90mm stage. • Freezing to -30°C. • Heater for easy removal of specimen debris. <p>Standard accessories include:</p> <ul style="list-style-type: none"> • Cryo-M-Bed embedding compound. • Spare set of fuses. • Operating manual. |
| 8000-208-02 | <p>Cryostage Freezing Stage for 110/115V AC, 50/60Hz</p> <p>Same features & accessories as 8000-208-01</p> |
| SOLID STATE FREEZER WITH PELTIER DEVICE | |
| 53024-01 | <p>Solid State Freezer for 220/240V AC, 50/60Hz</p> <p>Complete with:</p> <ul style="list-style-type: none"> • 40 x 40mm stage. • Freezing to -25°C • Temperature control is by current limit to Peltier device. • Safety cut-out to detect low water pressure. <p>Standard accessories include:</p> <ul style="list-style-type: none"> • Cryo-M-Bed embedding compound. • Cooling block removal tool. • Allen Key. • Spare set of fuses. • Operating manual. |
| 53024-02 | <p>Solid State Freezer for 110/115V AC, 50/60Hz</p> <p>Same features & accessories as 53024-01</p> |
| 200-012 | Solid State Filters |
| 231-001 | <p>Cooling Water Re-circulator (for Solid State Freezer (240v 50/60Hz only).</p> <p>Removes the reliance on close proximity to a sink and water supply while preventing water loss and is subsequently environmentally friendly.</p> |

Office: **Bright Instruments LTD**
 Burnett House, Lakeview Court
 Ernie Business Park, Huntingdon
 Cambridgeshire, PE29 6UA

Telephone: +44 (0) 808 168 9697
 Web: brightinstruments.com
MADE IN BRITAIN 

*Included in standard order | **Not included in overseas orders. VAT not included - E & OE

Bright
 Instruments

8000 Retracting Sledge Microtome

Order List 2021

| ACCESSORIES | |
|-------------|---------------------------------------------------------------------------------------------------------------------------------|
| Code | Description |
| 52498* | Standard vice. |
| 51495* | Fixed adapter. |
| 52985 | CO ₂ (gas) object holder and knife freezer. |
| 51719 | Object holder, 73 x 54mm. |
| 51720 | Object holder, 100 x 66mm. |
| 51836 | Object holder, 130 x 90mm. |
| 51717 | Object holder, 250 x 110mm. |
| 50235 | Steel knife with box, C-profile, 240 x 33 x 13mm. 22° angle, tapped to accept holder for Shandon knife sharpener. |
| 53605 | Knife sharpening back for 50235. |
| 50233 | Steel knife with box, D-profile, 240 x 33 x 13mm. 22° angle, tapped to accept holder for Shandon knife sharpener. |
| 50234 | Tungsten carbide tipped knife with box, 228 x 38 x 6mm. Suitable for bone sections. NB: Needs to be resharpened at our factory. |
| 57675 | Holder for feather blades with box. 240mm, complete with pack of 50 disposable Feather blades. |
| 50241 | Pack of 50 disposable Feather blades. |
| 51675 | Handle for 50235 and 50233 knives. |
| 51460-1 | Knife raising block, one pair. (Note: Item required if ordering Sledge with Solid State Freezer). |
| 52306 | 8000 Knife guard. |
| 51497 | End stops left hand. |
| 51498 | End stops right hand. |
| 133014 | Rubber bumper stops. |

| ACCESSORIES | |
|--------------|------------------------------------------------|
| Code | Description |
| 53051-1 | Ratchet wheel. |
| 53052-1 | Pawl. |
| 57713-1 | Bright Cryospray 134, 300ml aerosol can. |
| 57713 | Bright Cryospray 134, 300ml aerosol cans x 12. |
| 53581-1 | Bright Cryo-M-Bed, 120ml bottle. |
| 53581 | Bright Cryo-M-Bed 120ml bottle carton of 6. |
| 57344* | Knife cleaning brush. |
| 57808 | Anti-static brush, 12mm. |
| 57425 | Microtome oil, 200ml. |
| 57151/2/3/4* | Allen keys, set of four. |
| 53575 | Spare fuse set for 53023-01 & 53024-01. |
| 53576 | Spare fuse set for 53023-02 & 53024-02. |
| 53577 | Spare fuse set for 8000-208-01. |
| 53578 | Spare fuse set for 8000-208-02. |

Office: **Bright Instruments LTD**
Burnett House, Lakeview Court
Ernie Business Park, Huntingdon
Cambridgeshire, PE29 6UA

Telephone: +44 (0) 808 168 9697
Web: brightinstruments.com
MADE IN BRITAIN 

*Included in standard order | **Not included in
overseas orders. VAT not included - E & OE

Bright
Instruments

Agent / Distributor info:

Bright
Instruments

Burnett House
Lakeview Court
Ernie Business Park
Huntingdon
Cambridgeshire
PE29 6UA

+44 (0) 808 168 9697
brightinstruments.com

Member of:
MADE IN BRITAIN 